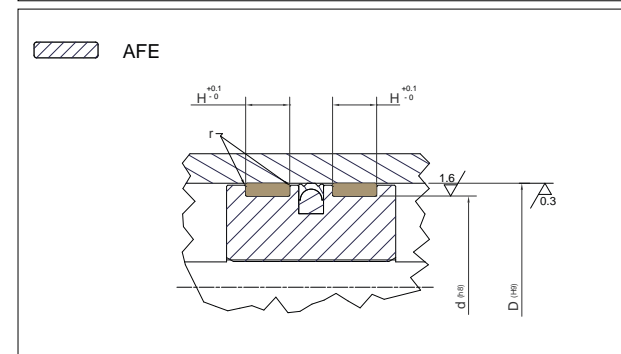
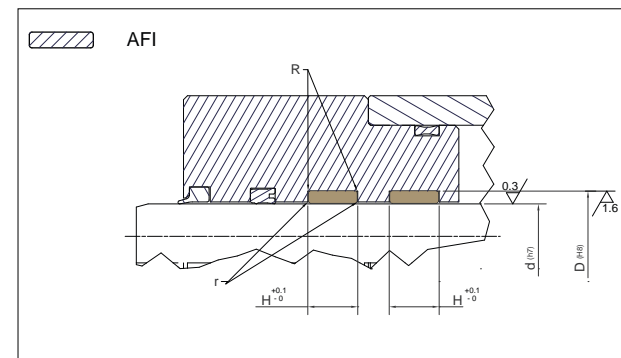






**TEXILAN**  
ANELLI di guida  
guide RINGS  
**AFI**  
**AFE**



**Wear Ring design guidelines**

R	$R \leq 0.3 \text{ mm}$
r	$r \leq 0.2 \text{ mm}$
<b>Roughness- Ra</b>	
Sliding Surface	Ra < 0.3 $\mu\text{m}$
Groove Base	Ra < 1.6 $\mu\text{m}$
Groove Flanks	Ra < 1.6 $\mu\text{m}$

PART NR	DIMENSIONI SEDI / Housing dimensions		
	d	D	H
<b>AFI AFE 20 25 9.7</b>	20,00	25,00	9,70
<b>AFI AFE 25 30 9.7</b>	25,00	37,00	9,70
<b>AFI AFE 27 32 9.7</b>	27,00	32,00	9,70
<b>AFI AFE 30 35 9.7</b>	30,00	35,00	9,70
<b>AFI AFE 35 40 9.7</b>	35,00	40,00	9,70
<b>AFI AFE 36 41 9.7</b>	36,00	41,00	9,70
<b>AFI AFE 37 42 9.7</b>	37,00	42,00	9,70
<b>AFI AFE 40 45 9.7</b>	40,00	45,00	9,70
<b>AFI AFE 45 50 9.7</b>	45,00	50,00	9,70
<b>AFI AFE 50 55 9.7</b>	50,00	55,00	9,70
<b>AFI AFE 55 60 9.7</b>	55,00	60,00	9,70
<b>AFI AFE 56 61 9.7</b>	56,00	61,00	9,70

Per dimensioni diverse da quelle elencate, Vi preghiamo contattarci.  
For dimensions not listed, Please contact us.

