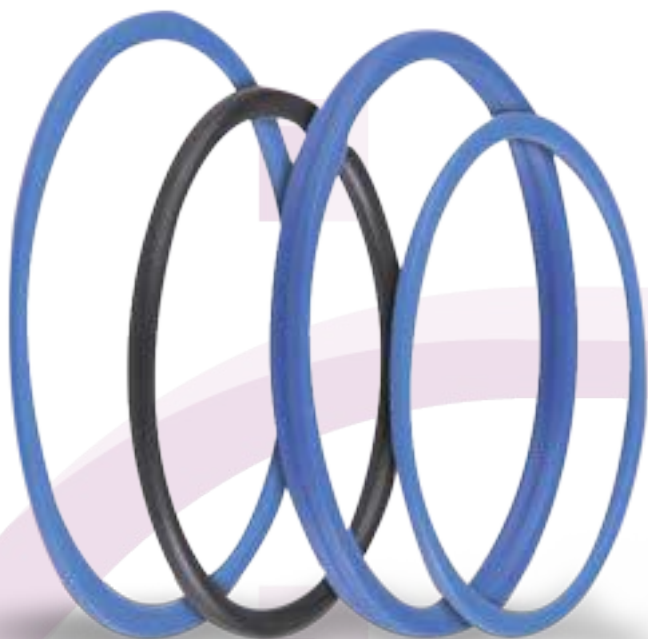


**Guarnizioni
per tenute statiche.**
Static seals.



GDS

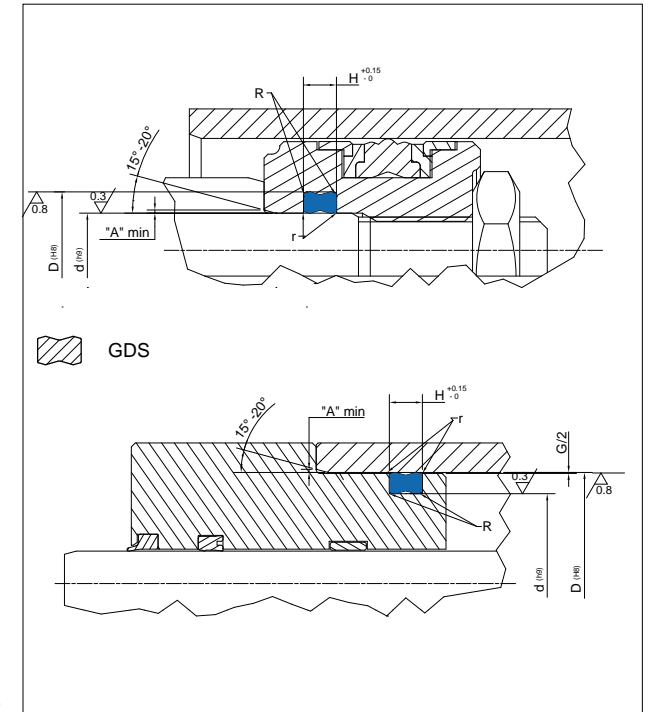
Guarnizioni per TENUTE STATICHE
STATIC seals

TECNOLAN

Versione standard	Standard version
Poliuretano	Polyurethane
Pressione fino a / Pressure up to	
50 MPa	
Temperatura / Temperature	
-35°C +100°C	-45°C +110°C PN 522
Applicazioni	Applications
Presse Carrelli Elevatori Cilindri Idraulici Idraulica mobile	Presses Fork Lifts Hydraulic Cylinders Mobile hydraulics

Per applicazioni speciali, Vi preghiamo contattarci.
For special applications, Please contact us.

IT SOLUTION
CONNECTING BUSINESS



Static Seal design guidelines

	0mm < d ≤ 20mm	20mm < d ≤ 50mm	50mm < d ≤ 100mm	d ≥ 100mm
R	max 0.50 mm	max 0.80 mm	max 1 mm	max 1.5 mm
r	remove sharp edges: r ≤ 0.3mm			
A	1 mm	2 mm	3 mm	3 mm < A ≤ 5 mm

Operating pressure to determinate Maximum Gap Allowance: G/2

G	10 MPa	20 MPa	30 MPa	40 MPa
	0.50 mm	0.40 mm	0.25 mm	0.18 mm

PART NR	DIMENSIONI SEDI / Housing dimensions		
	D	d	H
GDS 2000	6,00	12,00	3,10
GDS 2000/1	6,00	4,60	2,40
GDS 2000/2	10,00	7,60	3,60
GDS 2000/3	11,00	8,60	2,60
GDS 2000/4	12,00	9,60	3,60
GDS 2000/5	13,80	9,20	3,10
GDS 2000/6	15,00	12,60	3,60
GDS 2000/7	15,50	13,10	3,60
GDS 2000/8	16,00	13,60	3,60
GDS 2001	16,60	12,00	3,10
GDS 2002	17,00	14,60	3,60

Per dimensioni diverse da quelle elencate, Vi preghiamo contattarci.
For dimensions not listed, Please contact us.

PART NR	DIMENSIONI SEDI / Housing dimensions		
	D	d	H
GDS 2003	18,00	14,00	5,80
GDS 2004	19,00	15,60	4,40
GDS 2004/1	19,00	15,60	3,60
GDS 2004/2	19,00	16,60	2,60
GDS 2004/3	19,00	16,60	3,60
GDS 2005	20,00	16,00	5,80
GDS 2005/1	20,00	16,60	4,40
GDS 2005/2	20,00	16,60	3,60
GDS 2005/3	20,00	17,60	3,60
GDS 2006	20,50	17,20	5,00
GDS 2006/1	21,00	17,60	4,40
GDS 2006/2	21,00	18,60	3,60
GDS 2006/2	21,50	18,10	4,40
GDS 2006/3	21,50	19,10	2,60
GDS 2006/4	22,00	19,60	3,60
GDS 2006/5	23,00	19,60	4,40
GDS 2006/6	23,00	20,60	3,60
GDS 2007	24,00	20,00	4,80
GDS 2007/1	24,00	21,60	3,60
GDS 2007/2	26,00	22,00	4,40
GDS 2008	26,80	22,00	5,40
GDS 2008/1	28,00	23,80	5,30
GDS 2008/2	28,60	25,60	3,60
GDS 2008/3	30,00	25,10	4,40
GDS 2009	30,00	25,40	5,40
GDS 2009/8	30,00	26,00	5,00
GDS 2009/2	31,00	26,40	5,00
GDS 2009/3	32,00	27,40	5,40
GDS 2009/9	32,00	28,00	5,00
GDS 2009/4	34,00	28,40	5,30
GDS 2009/5	34,00	31,10	3,60
GDS 2009/1	35,00	30,00	4,50
GDS 2009/6	35,00	30,40	5,00
GDS 2009/7	35,50	30,90	5,00
GDS 2009/10	35,00	31,00	5,00
GDS 2010	36,00	32,00	6,20
GDS 2010/1	38,00	32,40	5,30
GDS 2010/1	40,00	33,40	4,10
GDS 2011	40,00	35,20	5,40
GDS 2012	40,00	35,40	5,40
GDS 2012/1	40,60	35,10	4,80
GDS 2012/2	40,00	36,00	5,00
GDS 2013	42,80	38,00	6,80
GDS 2013/1	43,40	37,80	6,20
GDS 2014	45,00	35,80	9,60
GDS 2015	45,00	40,00	5,40
GDS 2015/1	48,00	42,40	3,50
GDS 2015/2	48,00	43,00	4,10
GDS 2015/3	48,00	44,40	4,50
GDS 2016	50,00	40,80	9,60
GDS 2016/1	50,00	43,80	5,60
GDS 2017	50,00	44,60	6,20

TECNOLAN

Guarnizioni per
TENUTE STATICHE
STATIC seals

GDS 2000



TECNOLAN

Guarnizioni per
TENUTE STATICHE
STATIC seals

GDS 2000



PART NR	DIMENSIONI SEDI / Housing dimensions		
	D	d	H
GDS 2017/3	50,00	45,40	3,90
GDS 2017/5	50,00	45,40	5,40
GDS 2017/1	50,00	45,00	5,60
GDS 2017/2	52,00	42,00	5,60
GDS 2017/4	55,00	45,80	9,80
GDS 2018	55,00	49,60	6,20
GDS 2019	55,00	49,90	5,30
GDS 2019/1	55,00	50,00	6,70
GDS 2020	55,00	51,00	3,50
GDS 2021	57,00	52,20	4,10
GDS 2021/5	58,00	50,00	9,00
GDS 2021/1	58,00	52,60	4,10
GDS 2021/2	58,00	53,40	4,00
GDS 2021/3	58,50	54,50	3,30
GDS 2021/6	60,00	50,80	9,70
GDS 2021/4	60,00	53,60	5,60
GDS 2022	60,00	54,40	5,80
GDS 2023	60,00	54,60	6,20
GDS 2024	63,00	53,80	9,60
GDS 2025	63,00	56,60	6,40
GDS 2026	63,00	57,40	4,80
GDS 2027	63,00	57,60	6,20
GDS 2027/2	63,00	58,40	5,40
GDS 2027/1	64,00	59,00	3,30
GDS 2028	65,00	59,40	5,00
GDS 2029	65,00	59,60	6,20
GDS 2030	65,00	60,00	5,00
GDS 2030/2	65,50	61,10	5,00
GDS 2030/1	68,00	62,70	5,00
GDS 2030/3	69,60	65,00	3,90
GDS 2031	71,00	65,00	6,00
GDS 2031/1	70,00	64,60	6,20
GDS 2032	70,00	65,00	5,00
GDS 2032/1	70,00	66,40	6,20
GDS 2033	72,00	66,40	5,00
GDS 2033/1	72,80	65,70	5,00
GDS 2033/2	73,50	70,00	5,00
GDS 2033/3	74,60	70,00	3,80
GDS 2033/4	75,00	65,80	9,70
GDS 2034	75,00	69,40	5,30
GDS 2035	75,00	69,60	6,20
GDS 2036	76,60	72,00	4,80
GDS 2036/1	77,00	70,80	6,20
GDS 2037	78,00	73,00	5,00
GDS 2037/1	70,00	70,80	9,00
GDS 2038	80,00	70,80	9,70
GDS 2039	80,00	73,60	6,40
GDS 2040	80,00	73,80	6,90
GDS 2041	80,00	74,40	5,30
GDS 2041/5	80,00	74,60	6,20
GDS 2041/3	80,00	75,40	5,40
GDS 2041/4	80,00	76,00	3,60

Per dimensioni diverse da quelle elencate, Vi preghiamo contattarci.
For dimensions not listed, Please contact us.

IT SOLUTION
CONNECTING BUSINESS

