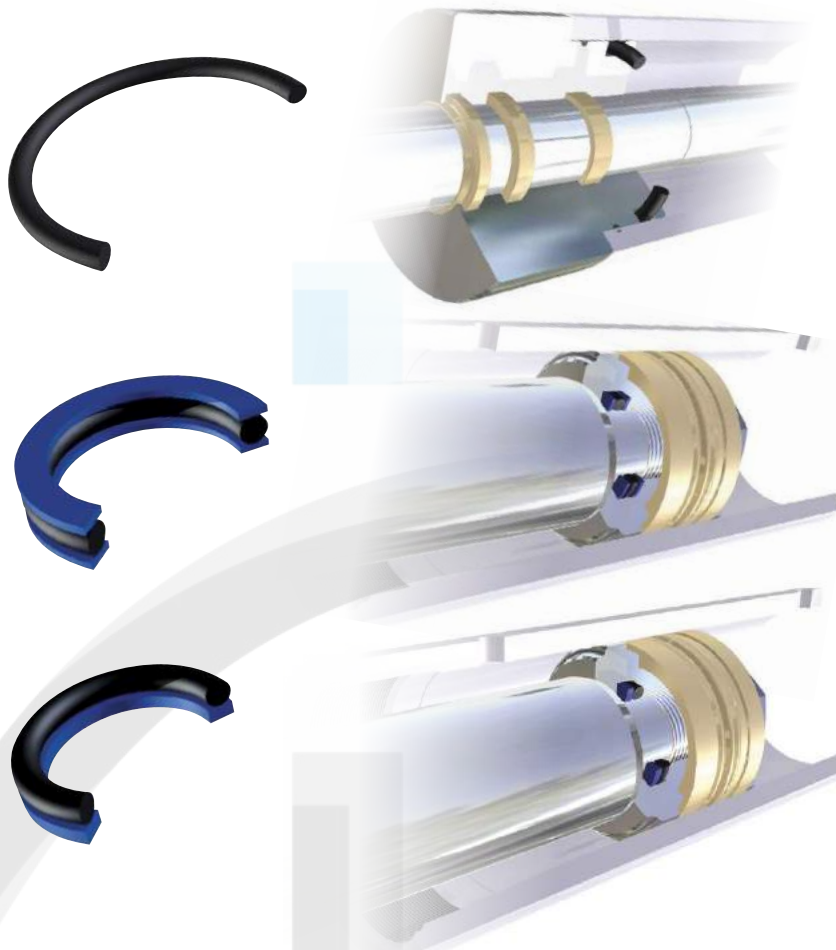
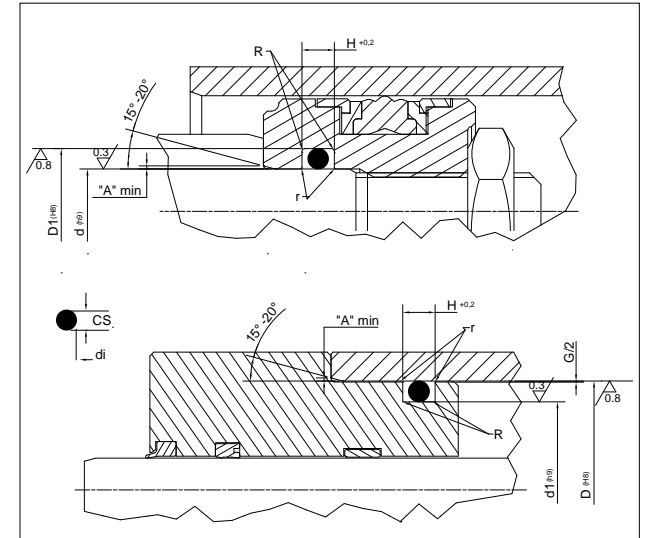


O-RING • GKS • GKM

300÷314



O-RING GKS



Static Seal design guidelines

	0mm < d ≤ 20mm	20mm < d ≤ 50mm	50mm < d ≤ 100mm	d ≥ 100mm
R	max 0.50 mm	max 0.80 mm	max 1 mm	max 1.5 mm
r	remove sharp edges: r ≤ 0.3mm			
A	1 mm	2 mm	3 mm	3 mm < A ≤ 5 mm

Operating pressure to determinate Maximum Gap Allowance: G/2

O-ring Cross Section (CS)	> 16 MPa	> 26 MPa	> 32 MPa	> 40 MPa
1.78	0.40 mm	0.40 mm	0.30 mm	0.20 mm
2.62	0.70 mm	0.60 mm	0.50 mm	0.30 mm
3.53	1.00 mm	0.80 mm	0.70 mm	0.50 mm
5.34	1.00 mm	0.80 mm	0.70 mm	0.50 mm
6.99	1.10 mm	0.90 mm	0.70 mm	0.70 mm

TECNORING	PART NR	OR UK	U.S.A	O-Ring Dimensions		Housing Dimensions				GDS for O-Ring grooves			
				di	CS	H	D	d1	d	D1	OR	OR-GKS	OR-20K/S
	10.001	2007	004	1,78	1,78								
	10.002	2010	005	2,57	1,78								
	10.003	101	2012	006	2,90	1,78	2,40	6,35	3,73	3,12	5,74		
	10.004			801	3,17	1,78							
	10.005	102	2015	007	3,69	1,78	2,40	7,14	4,52	3,91	6,53		
	10.006	103	2018	008	4,47	1,78	2,40	7,93	5,31	4,70	7,32		
	10.006/1			802	4,76	1,78							
	10.007	104	2021	009	5,28	1,78	2,40	8,74	6,12	5,51	8,13	2,50	4,00
	10.008	105	2025	010	6,07	1,78	2,40	9,53	6,91	6,30	8,92	4,00	5,50
	10.008/1			803	6,35	1,78							
	10.009	106		610	6,75	1,78	2,40	10,32	7,70	7,08	9,70		
	10.010	107	2031	011	7,65	1,78	2,40	11,11	8,49	7,78	10,49		
	10.010/1			804	7,94	1,78							
	10.011				8,48	1,78							
	10.012	108	611	8,73	1,78	2,40	12,30	9,68	9,07	11,69			

Per dimensioni diverse da quelle elencate, Vi preghiamo contattarci.
For dimensions not listed, Please contact us.

TECNRING			O-Ring Dimensions		Housing Dimensions					GDS for O-Ring grooves		
	PART NR	OR UK	U.S.A	di	CS	H	D	d1	d	D1	OR	OR-16/5
10.349	233	880	181,00	6,99	9,50	194,50	183,35	183,35	194,50			
10.350	234	8725	442	183,52	6,99	9,50	196,90	185,75	185,75	196,90		
10.351	235	882	187,30	6,99	9,50	20,90	189,75	189,75	200,90			
10.352	236	8750	443	189,87	6,99	9,50	203,30	192,15	192,15	203,30		
10.353	237	884	193,70	6,99	9,50	207,20	196,05	196,05	207,20			
10.354	238	8775	444	196,22	6,99	9,50	209,60	198,45	198,45	209,60		
10.355	239	886	200,00	6,99	9,50	213,60	202,45	202,45	213,60			
10.356	240	8800	445	202,57	6,99	9,50	216,00	204,85	204,85	216,00		
10.357	241	8825	674	208,92	6,99	9,50	222,30	211,15	211,15	222,30		
10.358	242	8850	446	215,27	6,99	9,50	228,70	217,55	217,55	228,70		
10.359	243	8875	676	221,62	6,99	9,50	235,00	223,85	223,85	235,00		
10.360	244	8900	447	227,97	6,99	9,50	241,40	230,25	230,25	241,40		
10.361	245	8925	678	234,32	6,99	9,50	247,70	236,55	236,55	247,70		
10.362	246	8950	448	240,67	6,99	9,50	254,10	242,95	242,95	254,10		
10.363	247	8975	680	247,00	6,99	9,50	260,40	249,25	249,25	260,40		
10.364	248	81000	449	253,37	6,99	9,50	266,80	255,65	255,65	266,80		
10.365	249	81025	682	259,70	6,99	9,50	273,10	261,95	261,95	273,10		
10.366	250	81050	450	266,07	6,99	9,50	279,50	268,35	268,35	279,50		
10.367	251	81075	684	272,40	6,99	9,50	285,80	274,65	274,65	285,80		
10.368	252	81100	451	278,77	6,99	9,50	292,20	281,05	281,05	292,20		
10.369	253	81125	686	285,10	6,99	9,50	298,50	287,35	287,35	298,50		
10.370		-	287,81	6,99	9,50							
10.371	254	81150	452	291,47	6,99	9,50	304,90	293,75	293,75	304,90		
10.372	255	81175	688	297,80	6,99	9,50	311,20	300,05	300,05	311,20		
10.373	256	81200	453	304,17	6,99	9,50	317,60	306,45	306,45	317,60		
10.373/1		648	310,50	6,99	9,50							
10.374	257	81250	454	316,87	6,99	9,50	330,30	319,15	319,15	330,30		
10.374/1		649	323,20	6,99	9,50							
10.375	258	81300	455	329,57	6,99	9,50	343,00	331,85	331,85	343,00		
10.375/1		650	335,90	6,99	9,50							
10.376	259	81350	456	342,27	6,99	9,50						
10.377	260	81400	457	354,97	6,99	9,50	368,40	357,25	357,25	368,40		
10.378	261	81450	458	367,67	6,99	9,50	381,10	369,95	369,95	381,10		
10.379	262	81500	459	380,37	6,99	9,50	393,80	382,65	382,65	393,80		
10.380	263	81550	460	393,07	6,99	9,50	406,50	395,35	395,35	406,50		
10.381		81600	461	405,26	6,99	9,50						
10.382		81650	462	417,96	6,99	9,50						
10.383		81700	463	430,66	6,99	9,50						
10.384		81750	464	443,36	6,99	9,50						
10.385		81800	465	456,06	6,99	9,50						
10.386		81850	466	468,76	6,99	9,50						
10.387		81900	467	481,46	6,99	9,50						
10.388		81950	468	494,16	6,99	9,50						
10.389		82000	469	506,86	6,99	9,50						
10.390		82100	470	532,26	6,99	9,50						
10.391		82200	471	557,66	6,99	9,50						
10.392		82300	472	582,68	6,99	9,50						
10.393		82400	473	608,08	6,99	9,50						
10.394		82500	474	633,48	6,99	9,50						
10.395		82600	475	658,88	6,99	9,50						

9,50
12,00
14,50

TECNRING

Guarnizioni per
TENUTE STATICHE
STATIC seals

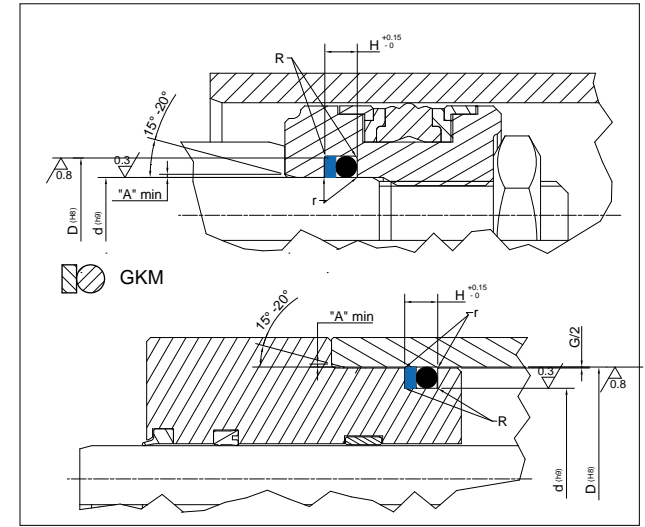
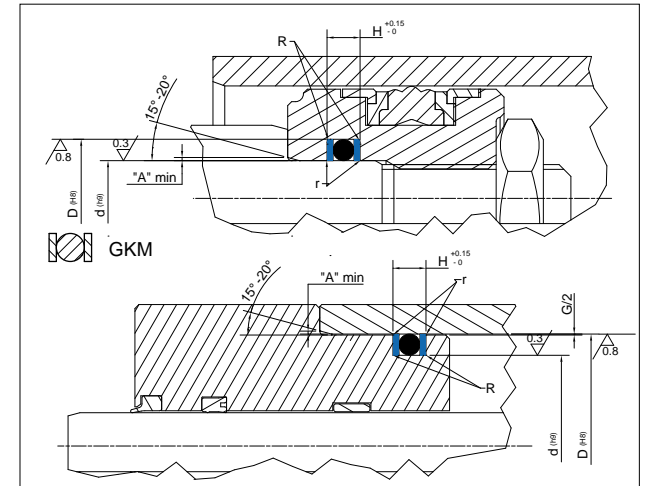
**O-RING
GKS**



TECNOLAN

Guarnizioni per
TENUTE STATICHE
STATIC seals

GKM



Static Seal design guidelines					
R	0mm < d ≤ 20mm	20mm < d ≤ 50mm	50mm < d ≤ 100mm	d ≥ 100mm	
	max 0.50 mm	max 0.80 mm	max 1 mm	max 1.5 mm	
r	remove sharp edges: r ≤ 0.3mm				
A	1 mm	2 mm	3 mm	3 mm < A ≤ 5 mm	
Operating pressure to determinate Maximum Gap Allowance: G/2					
G	O-ring Cross Section (CS)	> 16 MPa	> 26 MPa	> 32 MPa	> 40 MPa
	1.78	0.40 mm	0.40 mm	0.30 mm	0.20 mm
	2.62	0.70 mm	0.60 mm	0.50 mm	0.30 mm
	3.53	1.00 mm	0.80 mm	0.70 mm	0.50 mm
	5.34	1.00 mm	0.80 mm	0.70 mm	0.50 mm
6.99	1.10 mm	0.90 mm	0.70 mm	0.70 mm	

Per dimensioni diverse da quelle elencate, Vi preghiamo contattarci.
For dimensions not listed, Please contact us.

nit SOLUTION
CONNECTING BUSINESS